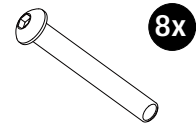
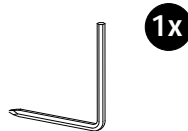
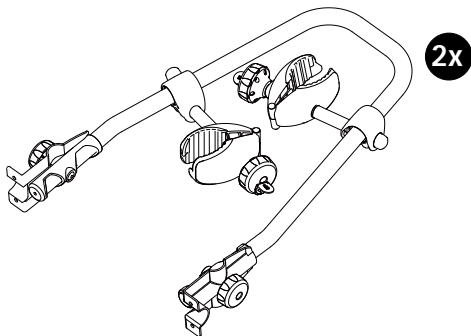
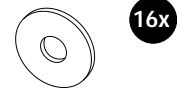
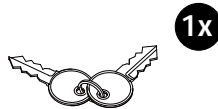


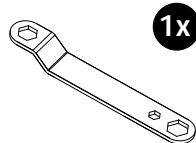
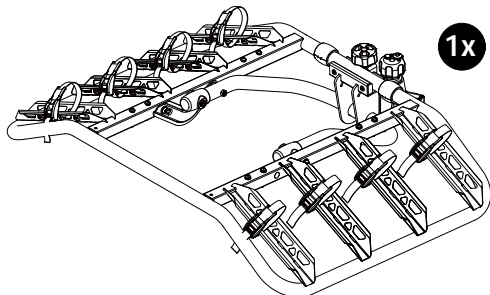
## PART LIST



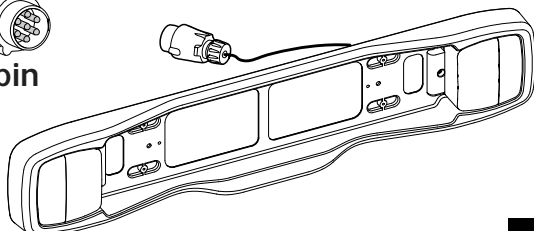
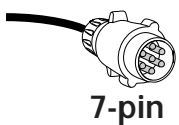
M6x45mm



6.5x13mm



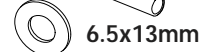
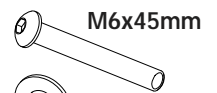
M6x1.0mm



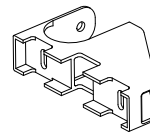
4x



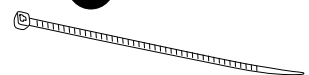
2x

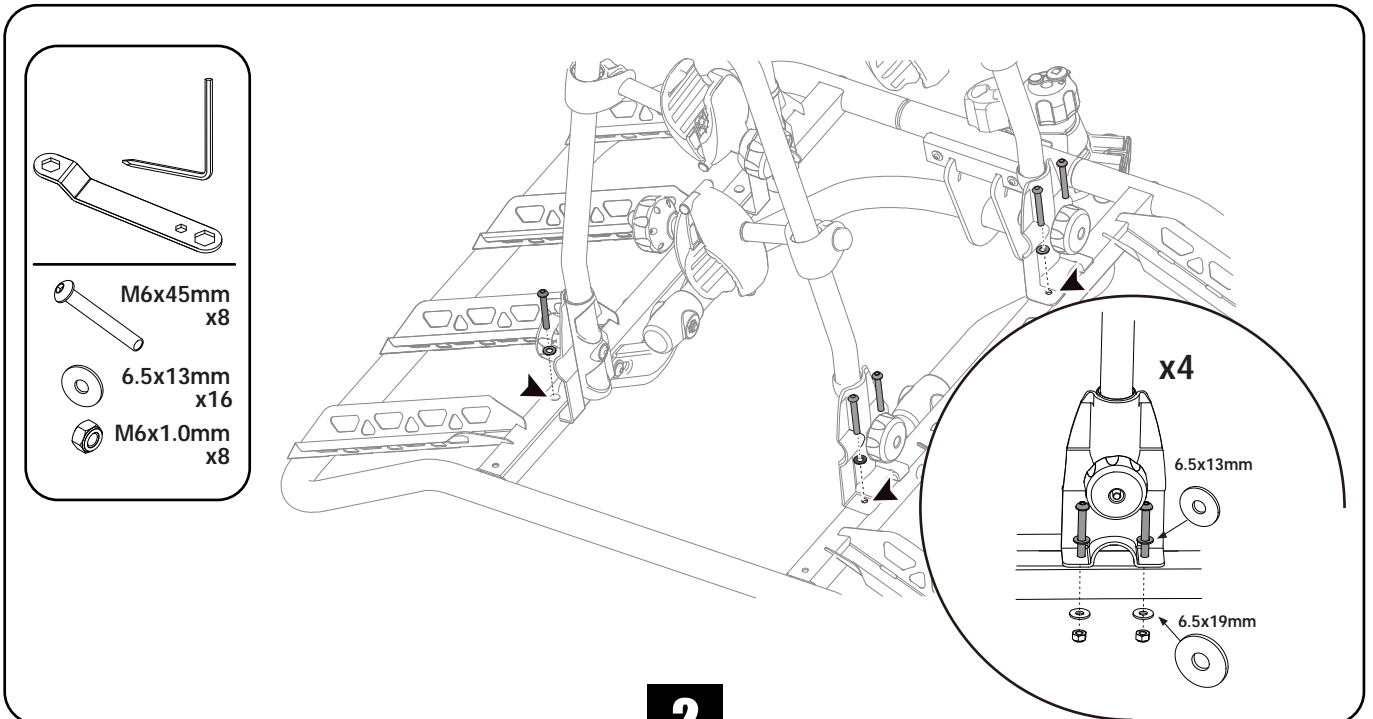
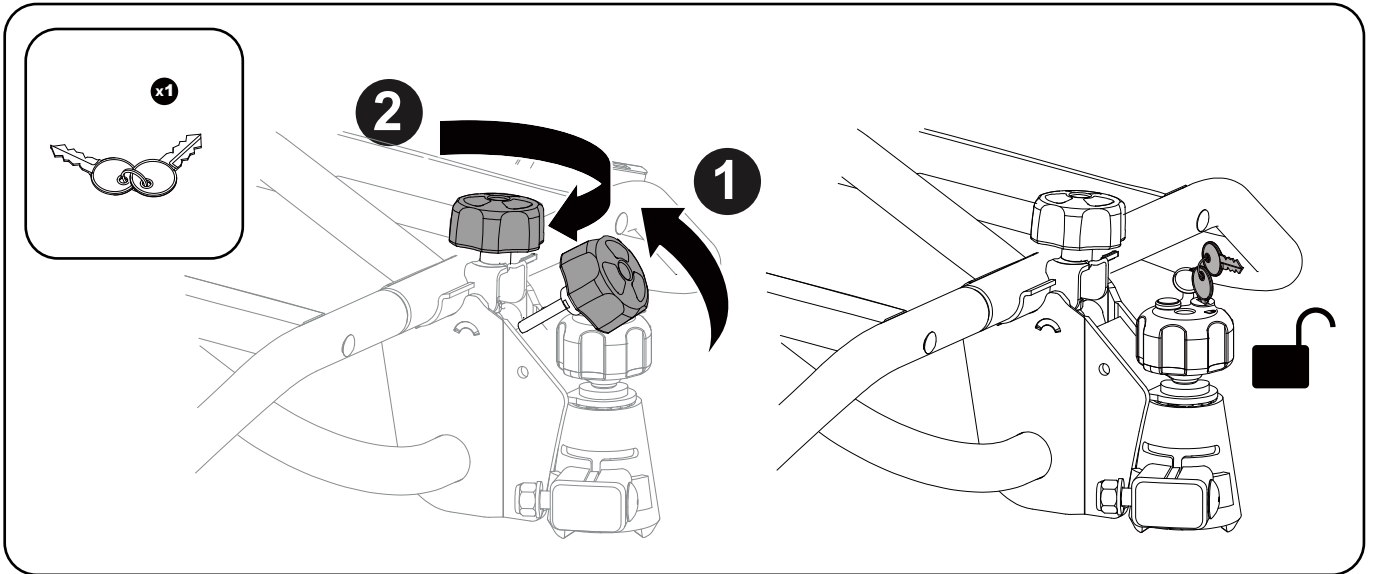
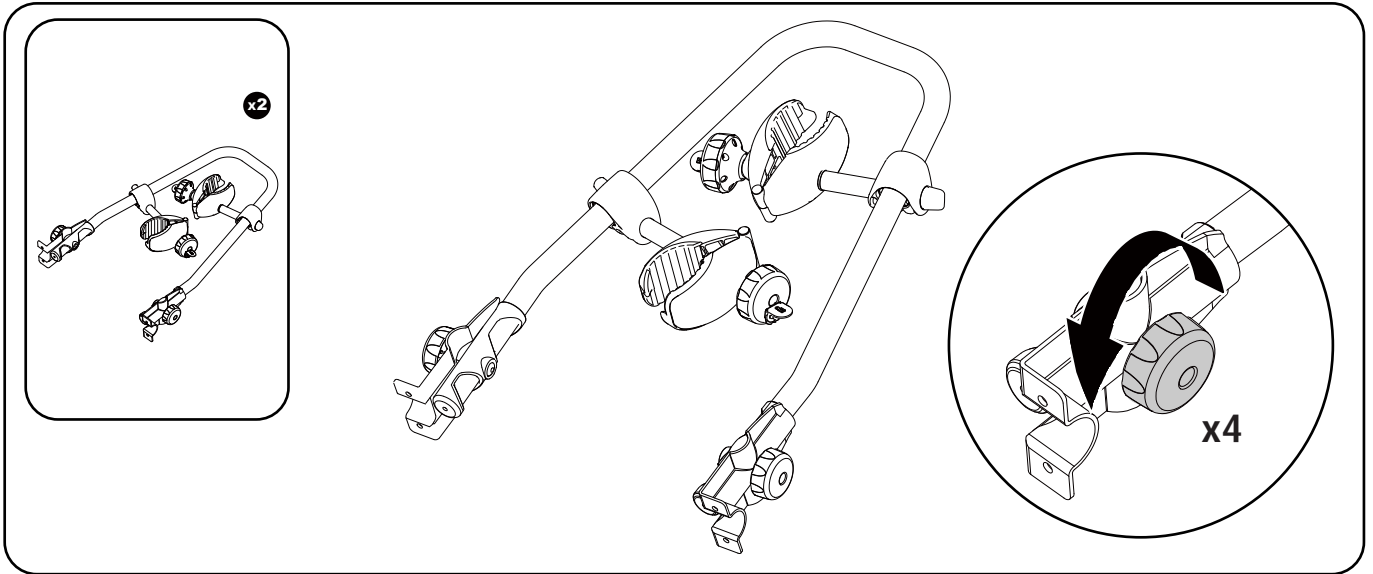


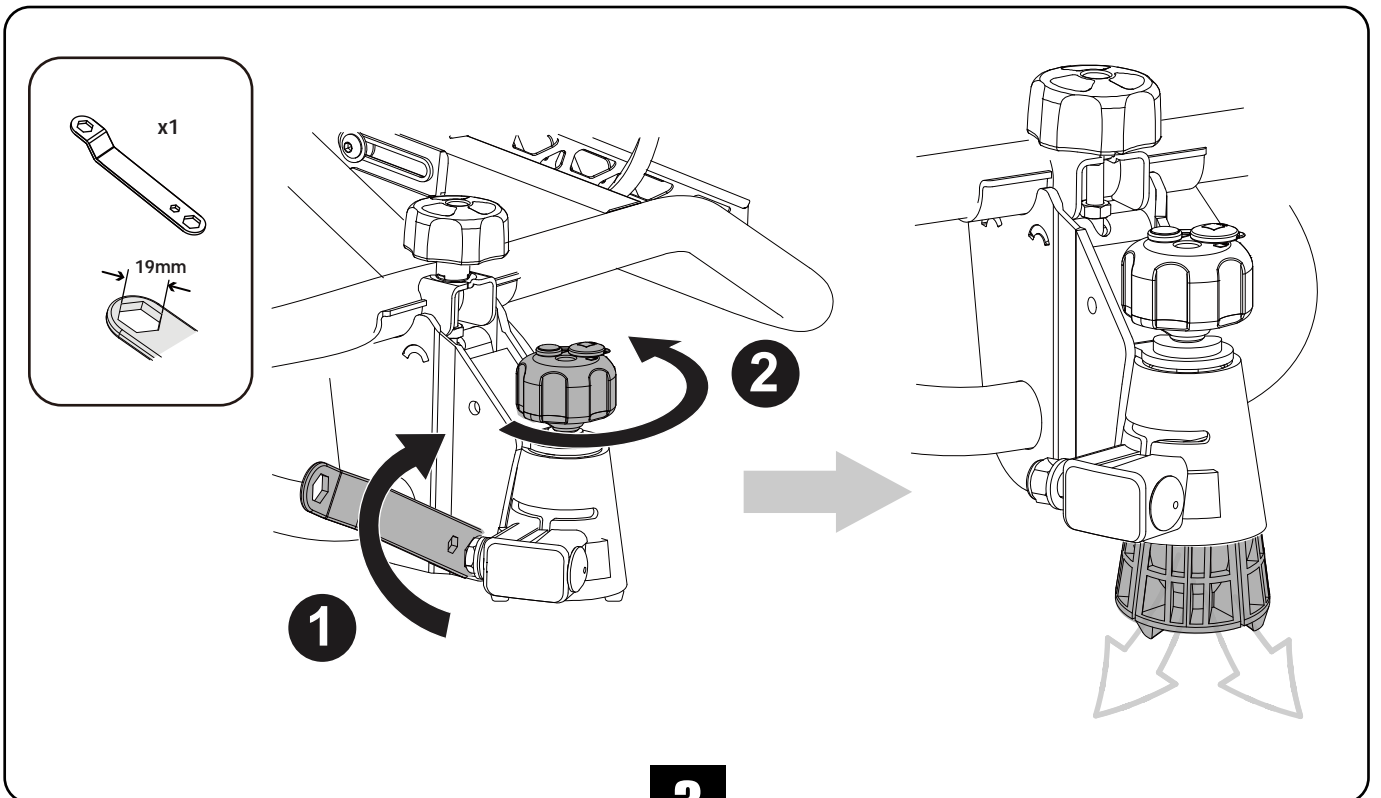
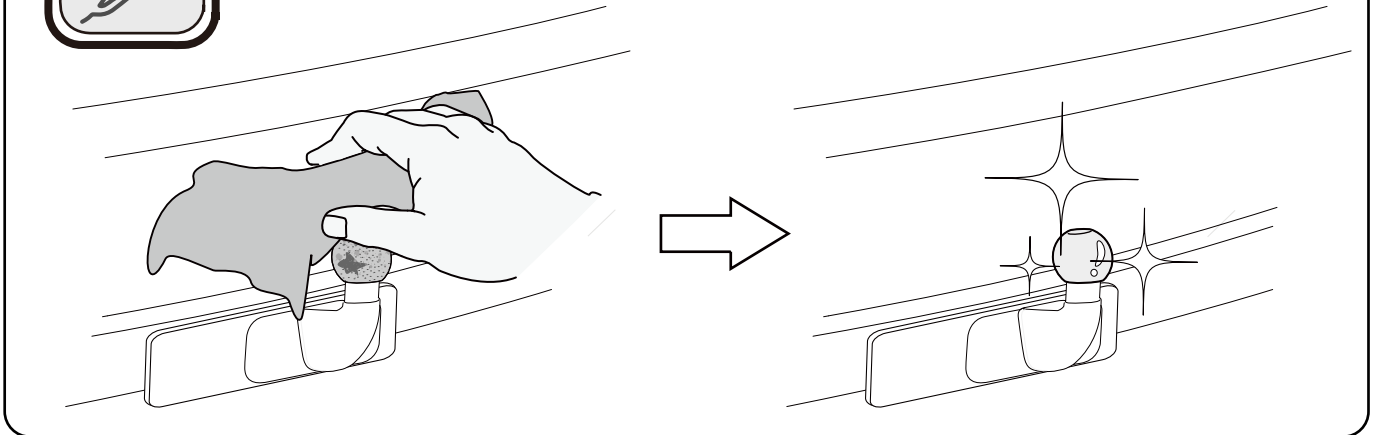
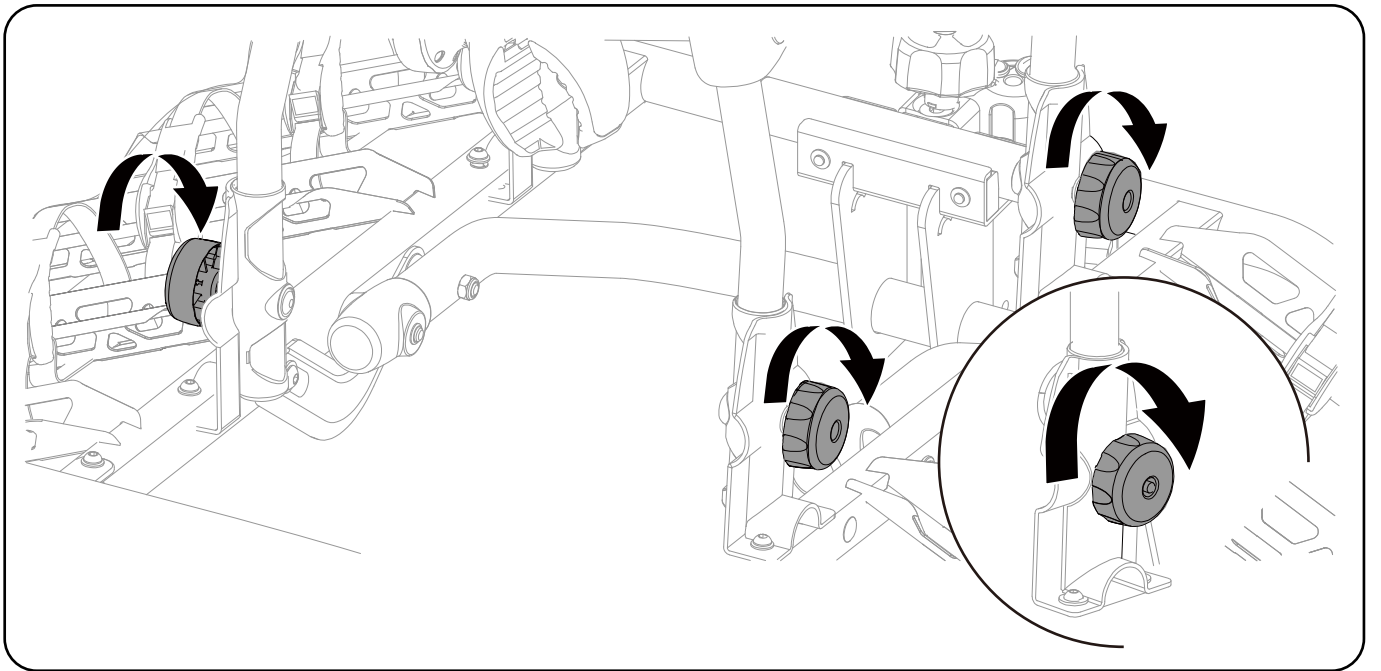
2x

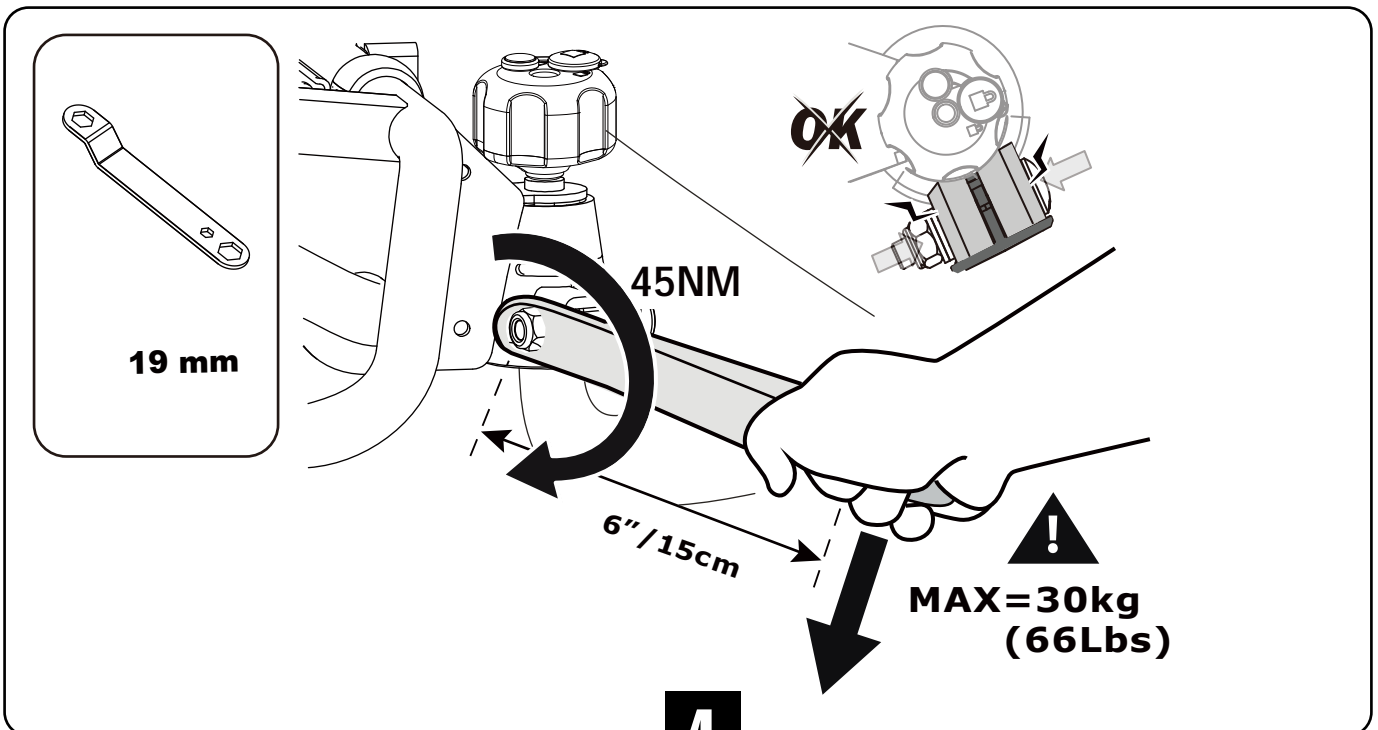
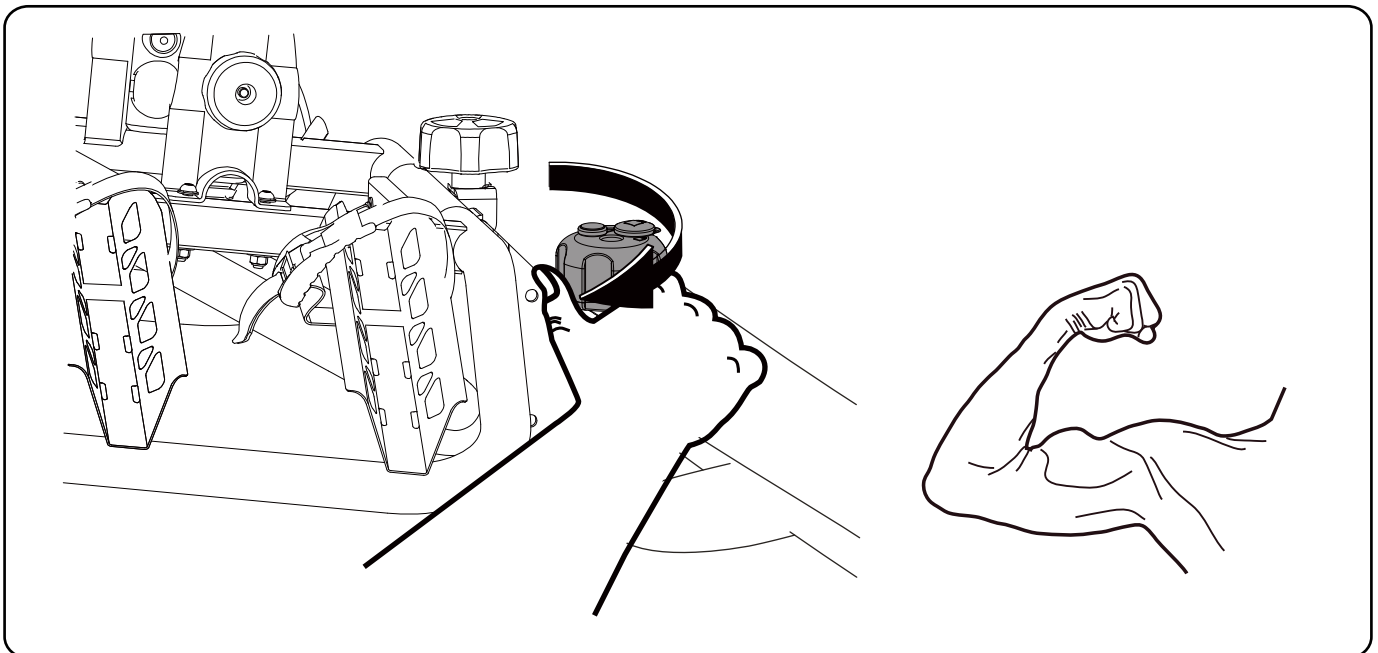
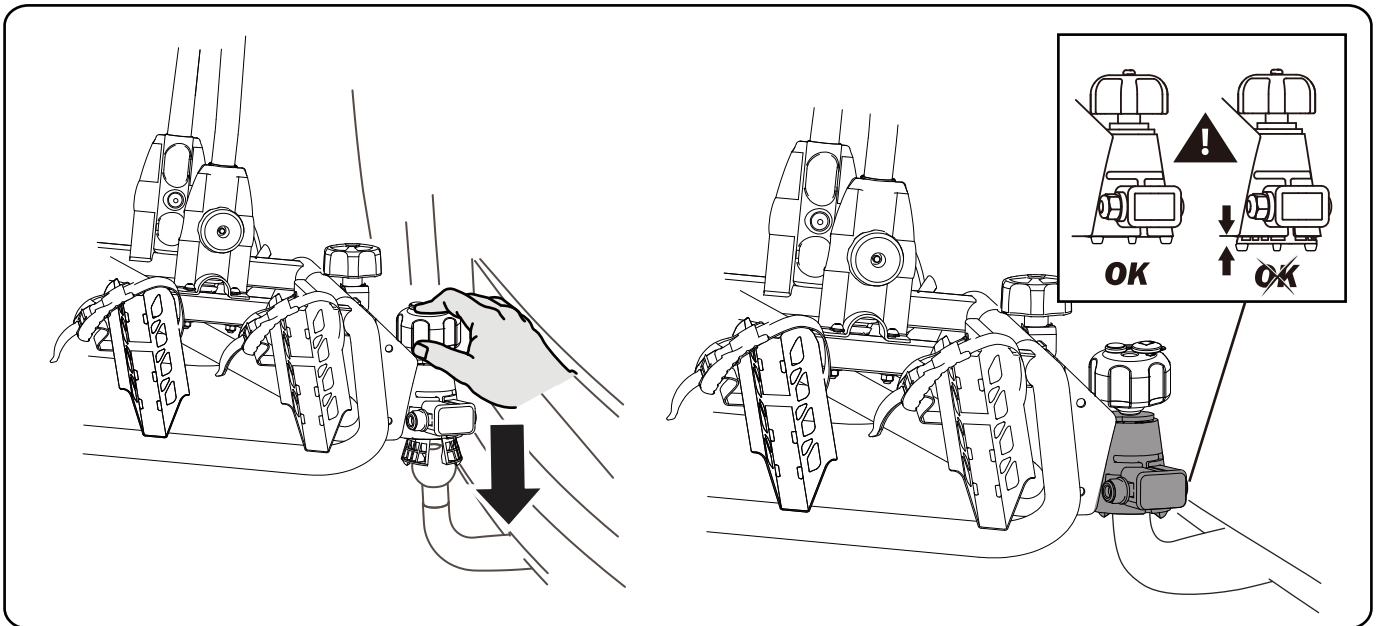


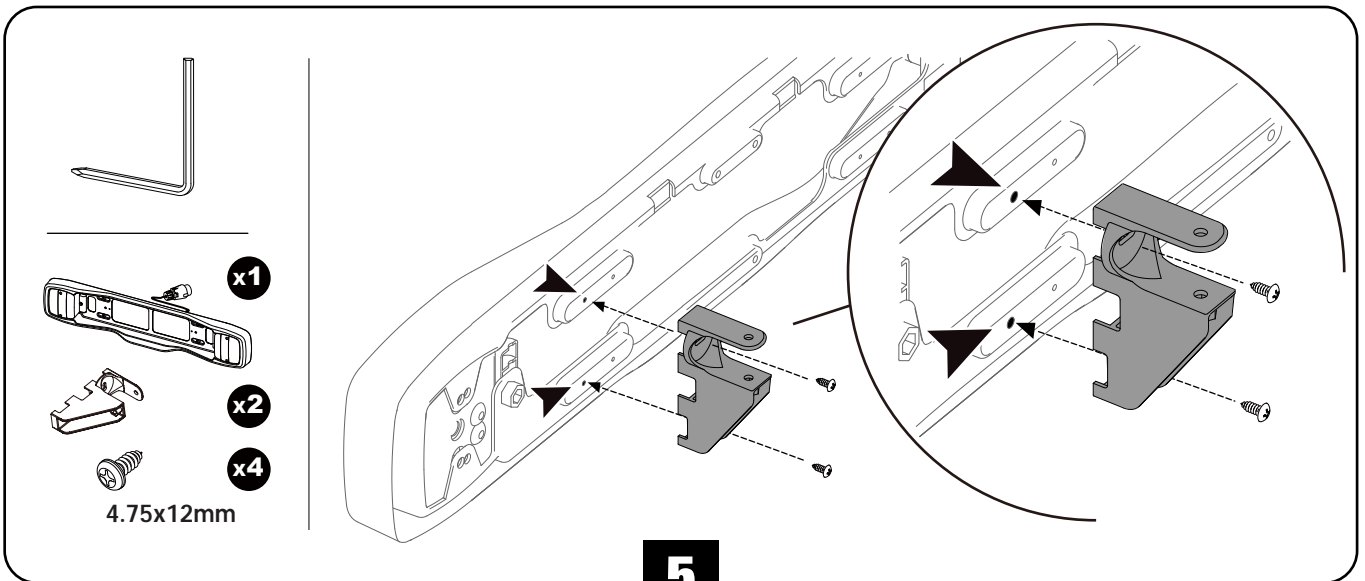
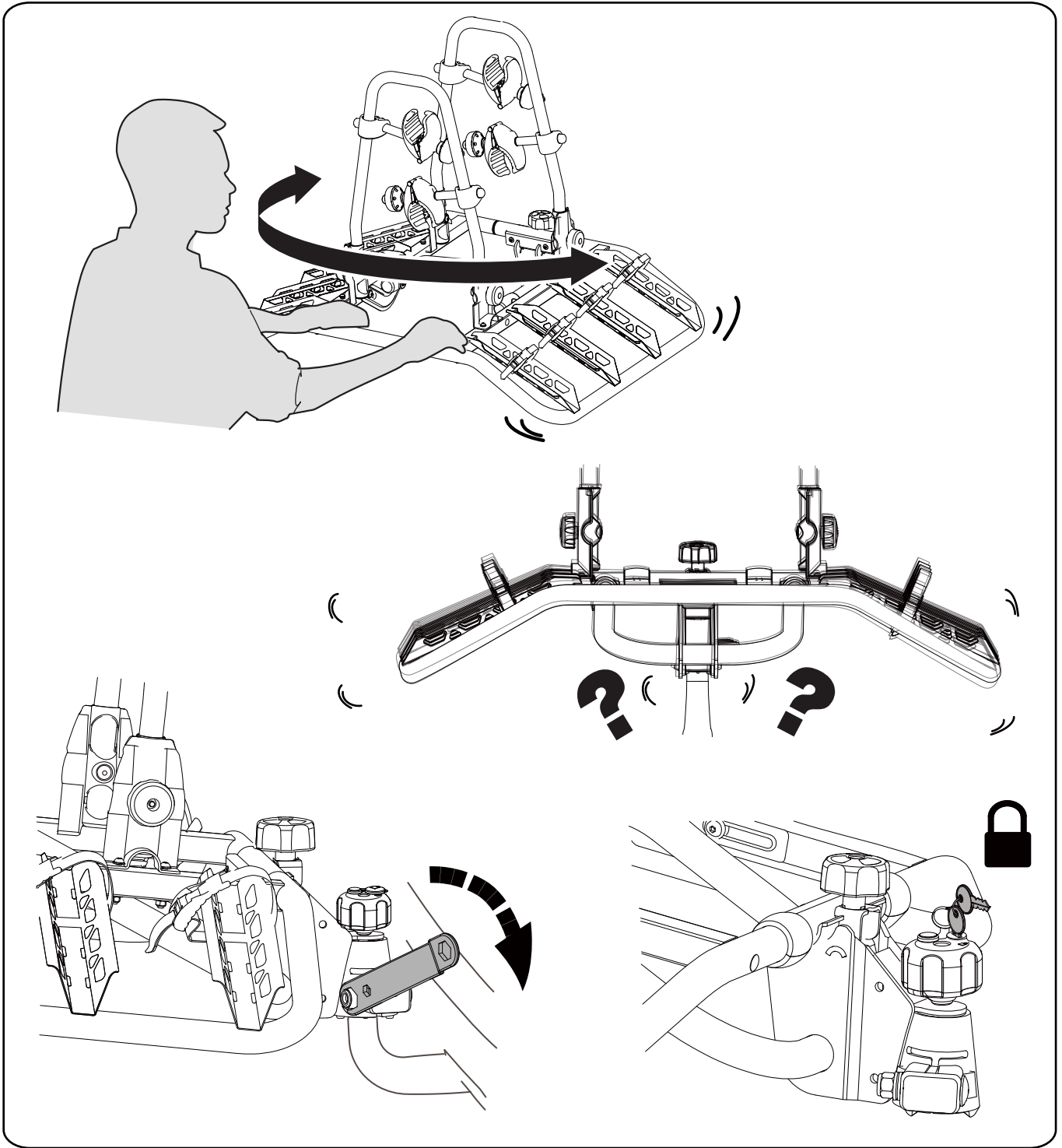
3x

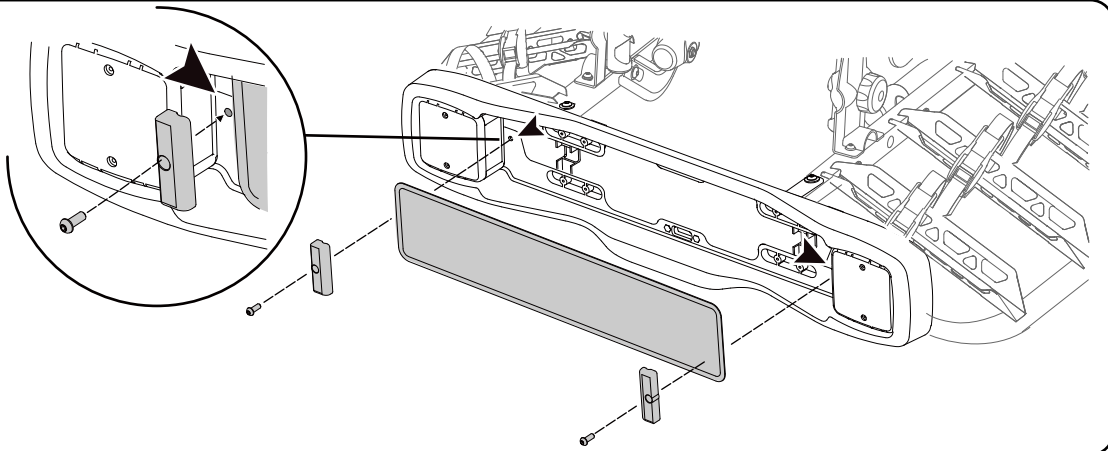
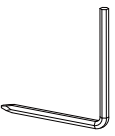
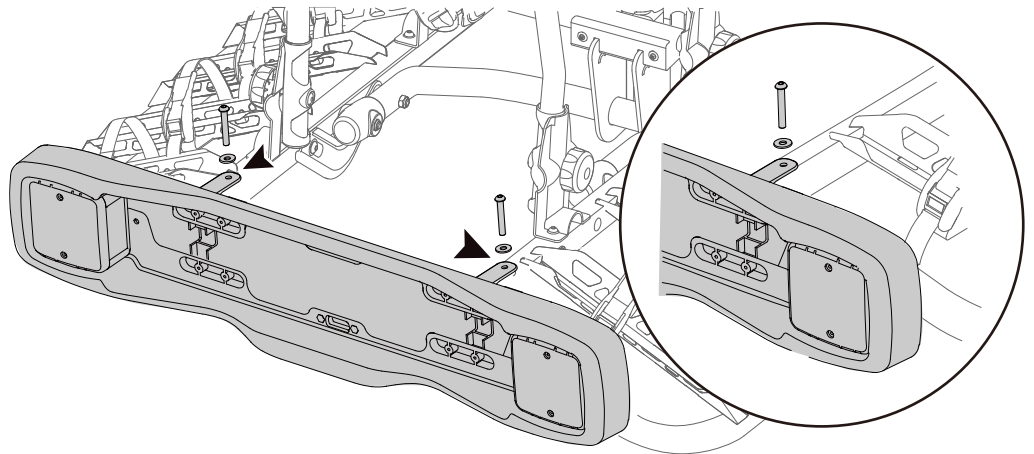




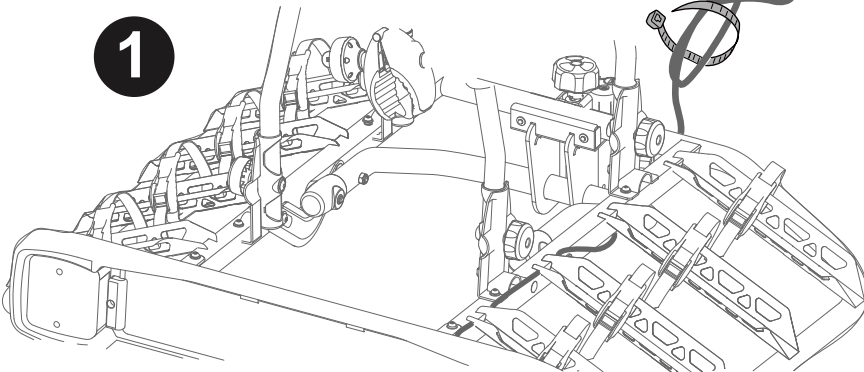






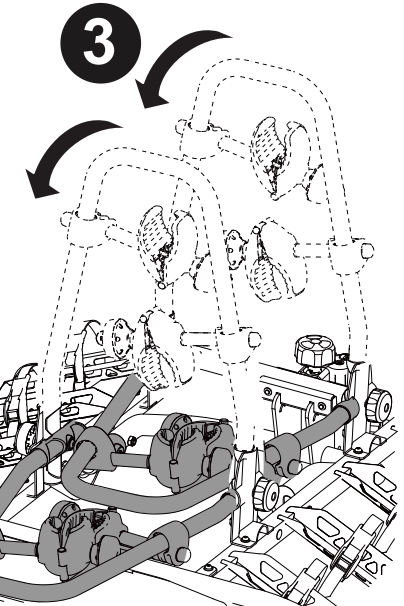


1

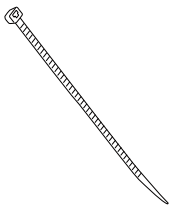


3

2



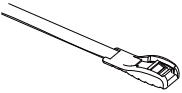
x3







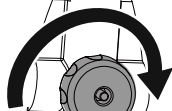
x2



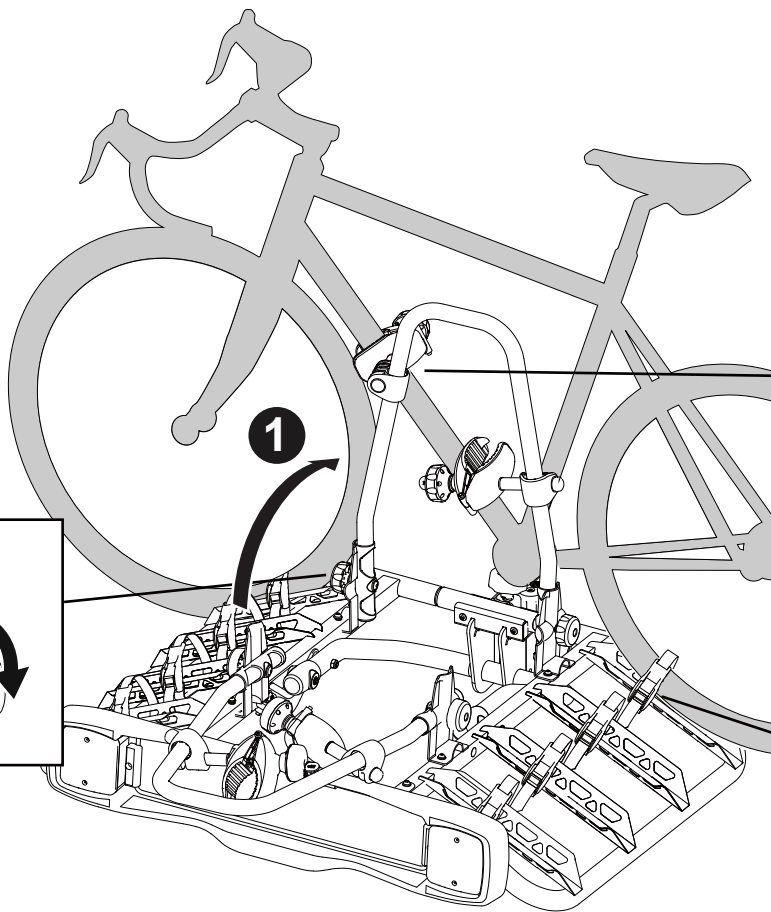
MIN ( 21" / 53 cm )  
MAX ( 47" / 119 cm )



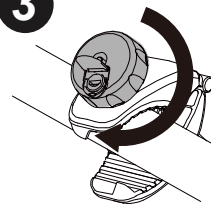
2



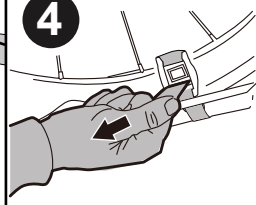
1



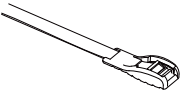
3



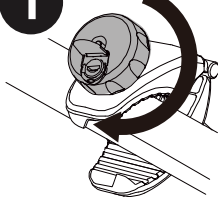
4



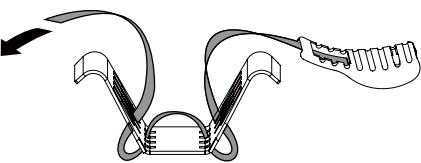
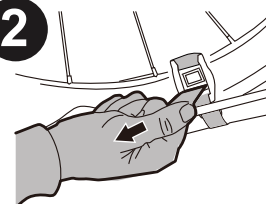
x2



1

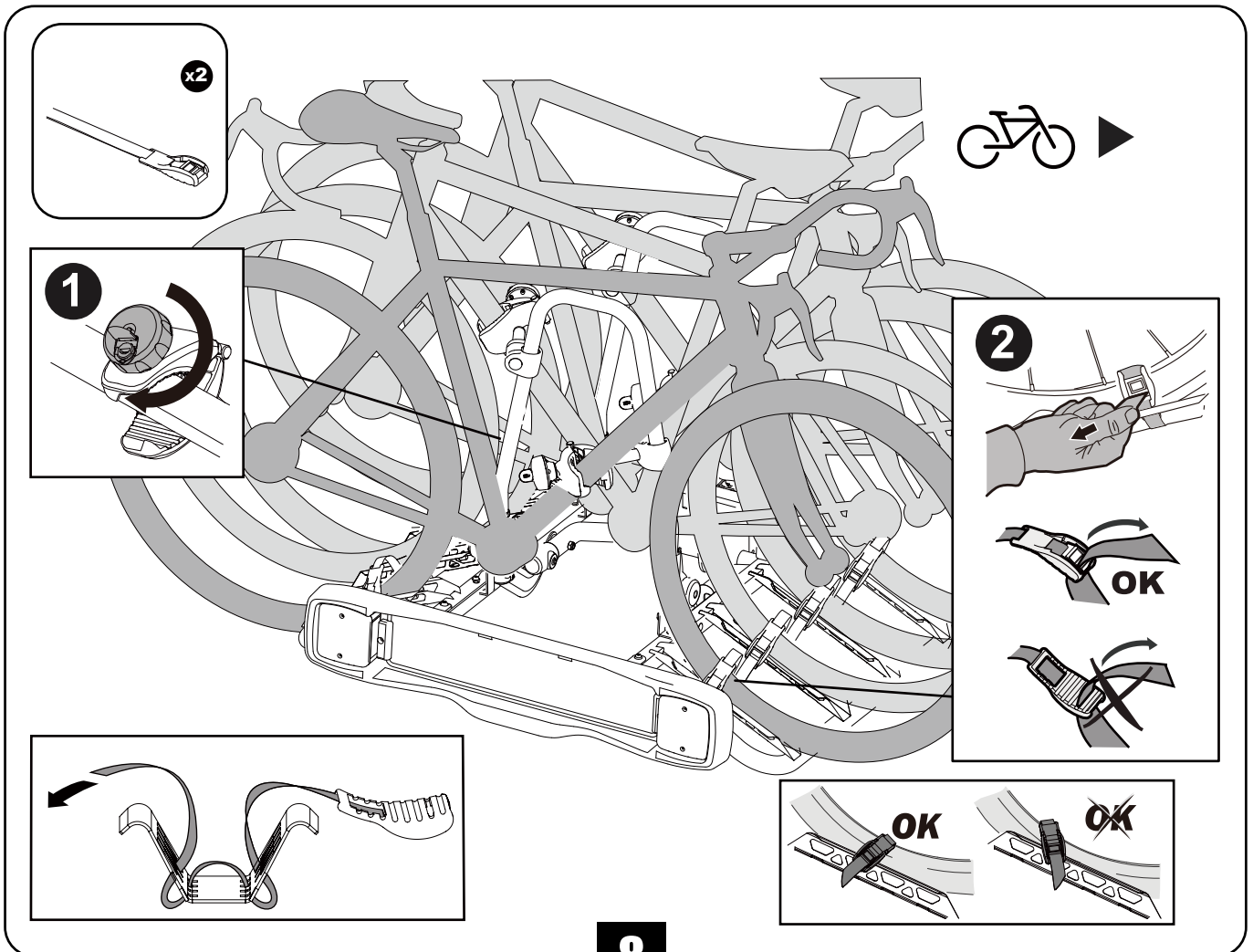
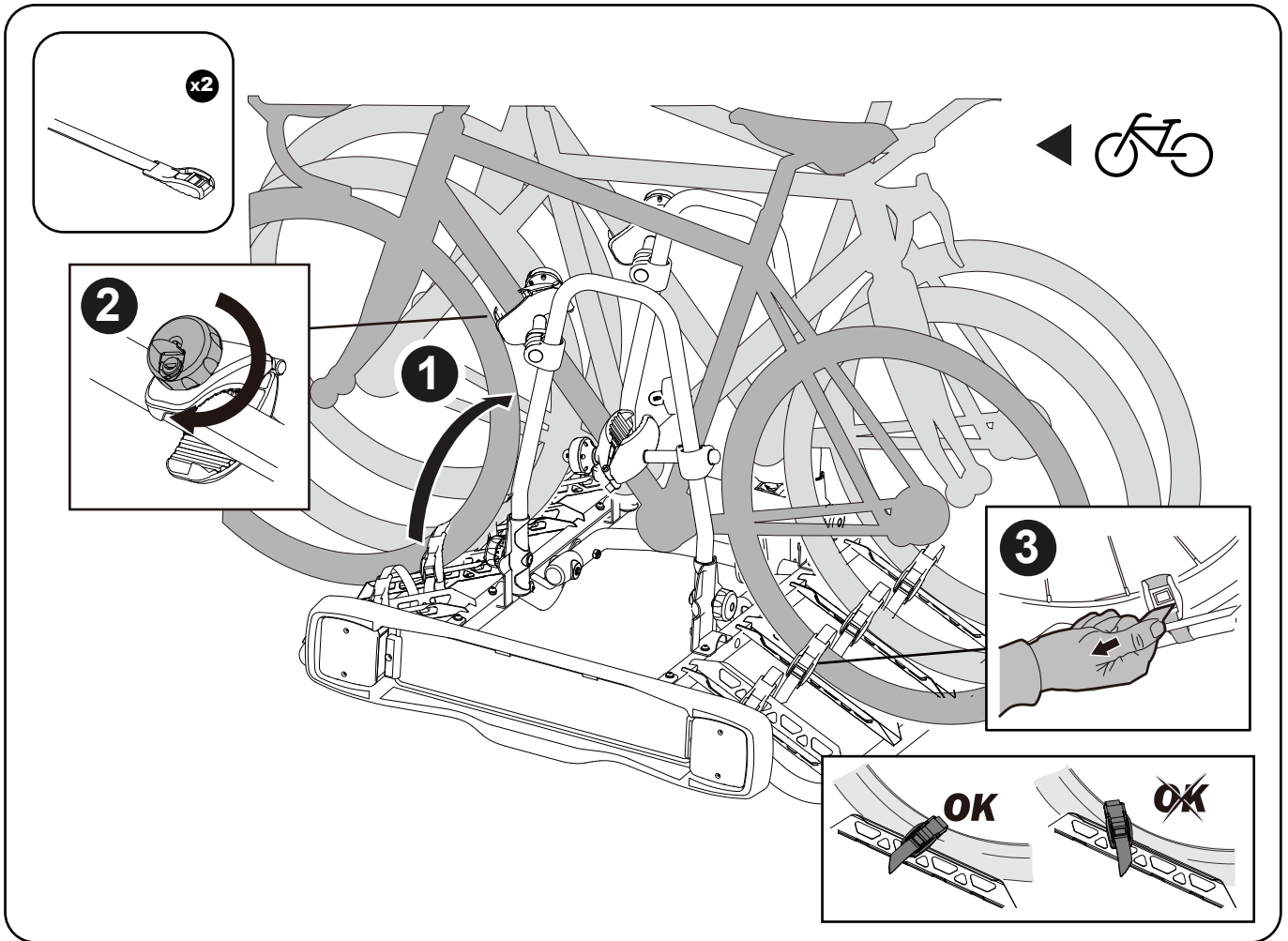


2

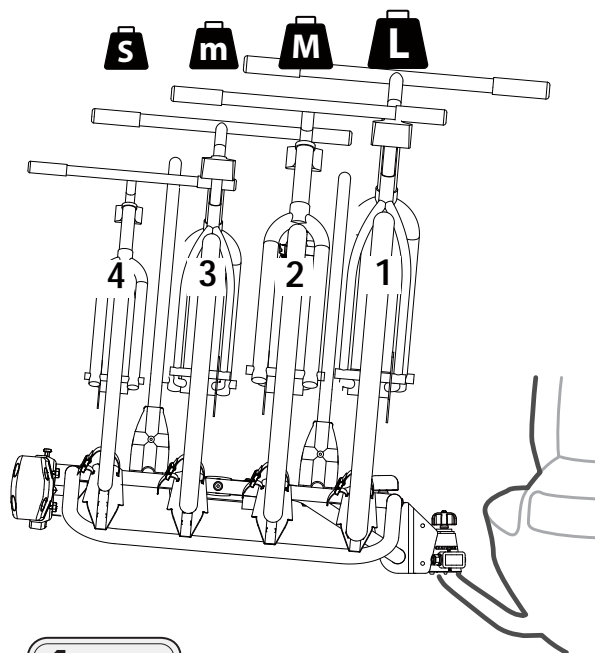
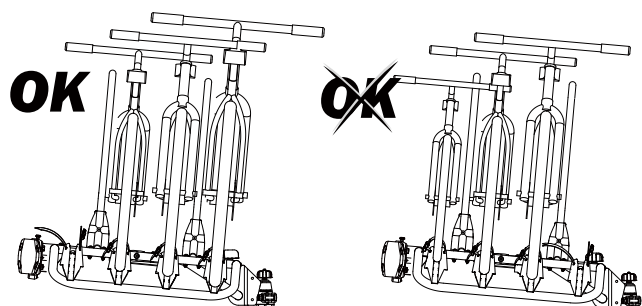
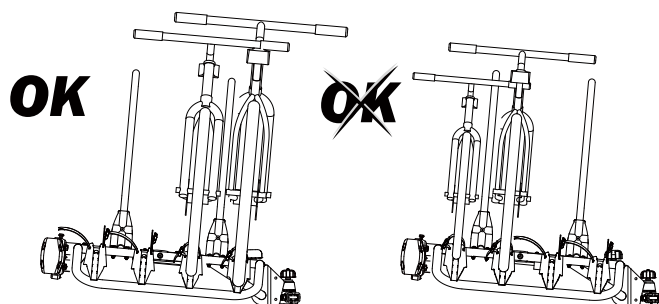
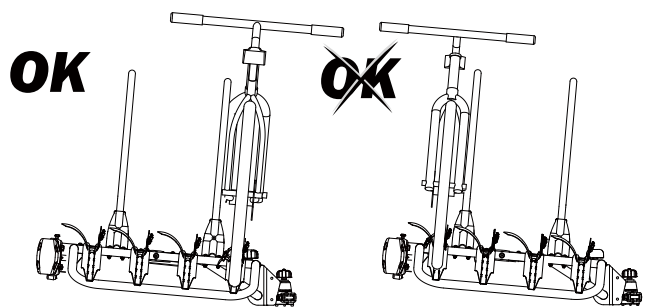
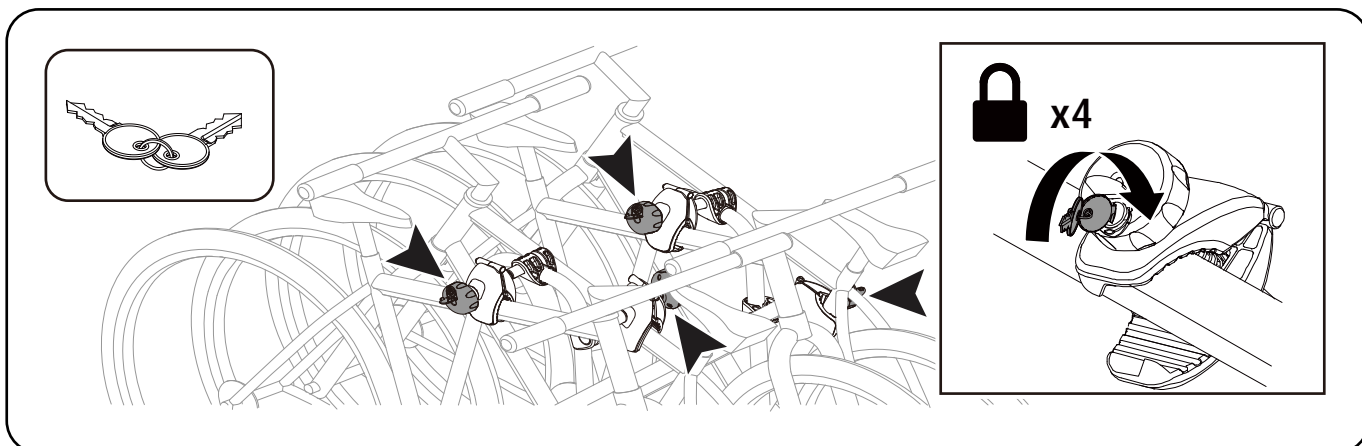



OK

OK








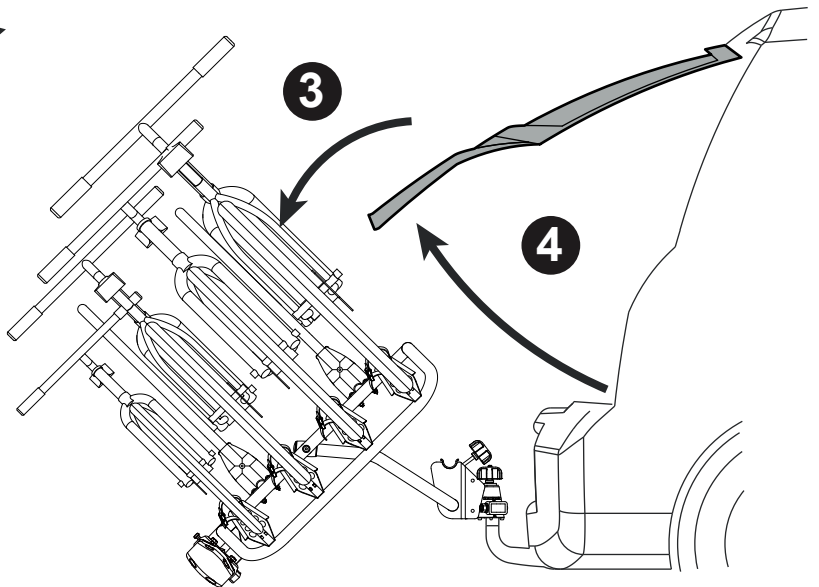
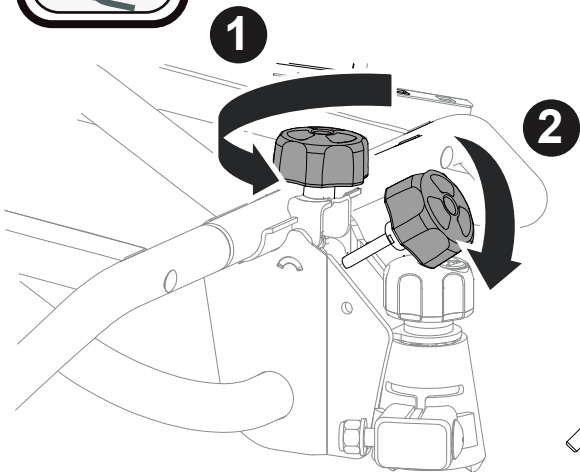
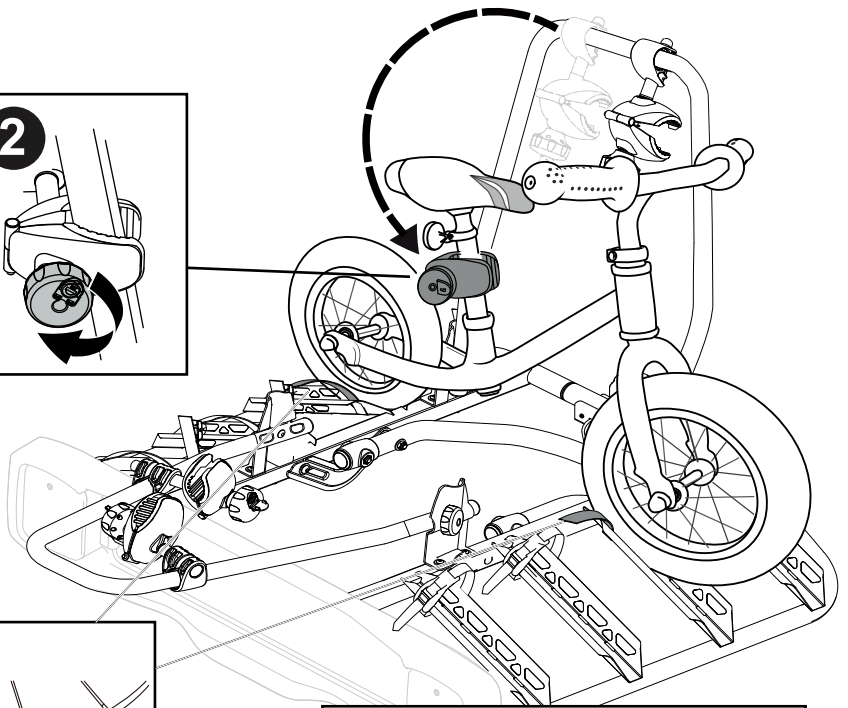
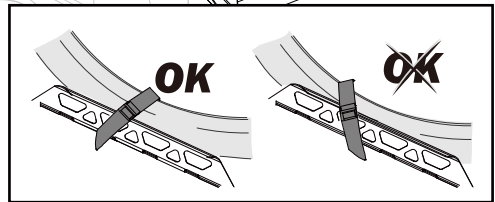
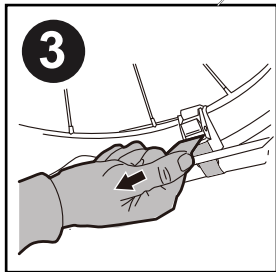
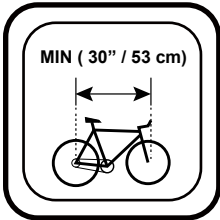
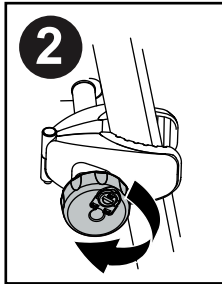
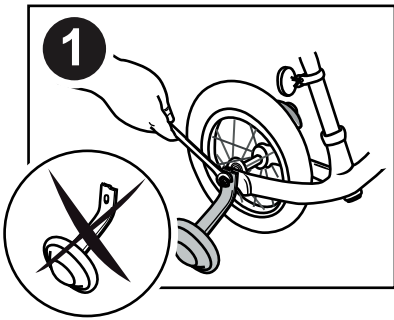
**1**  = 1x 15kg MAX

**2**  = 2x 15kg MAX

**3**  = 3x 15kg MAX

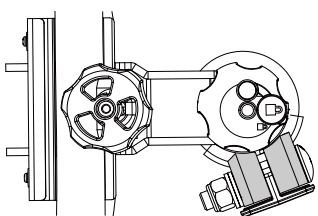
**4**  = 4x 15kg MAX

Produkt testowany i zgodny z wymogami normy XP R18-904-4

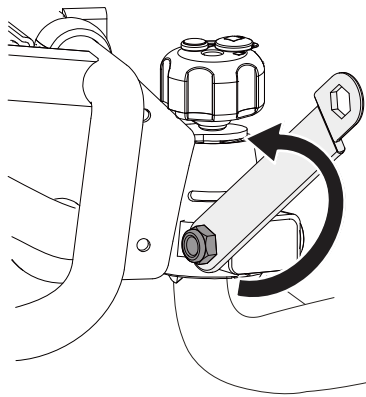




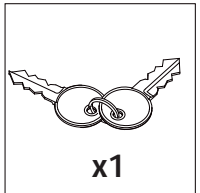
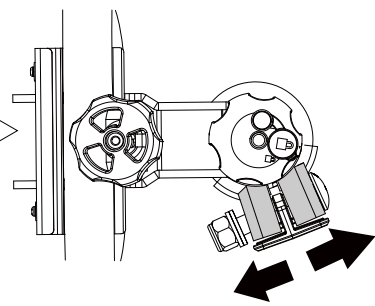
1



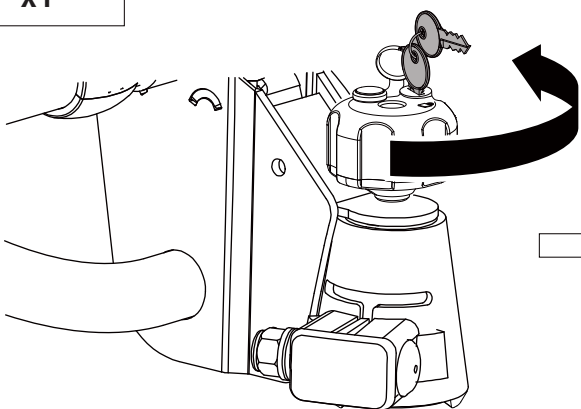
2



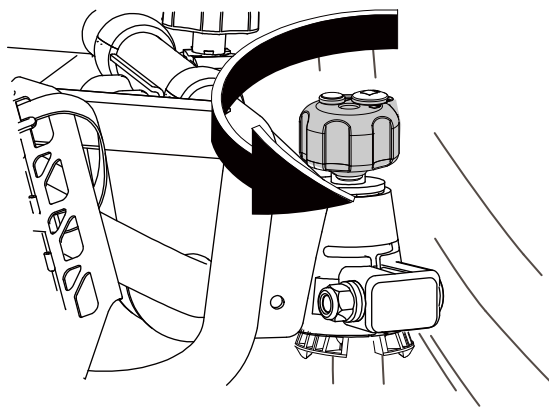
3



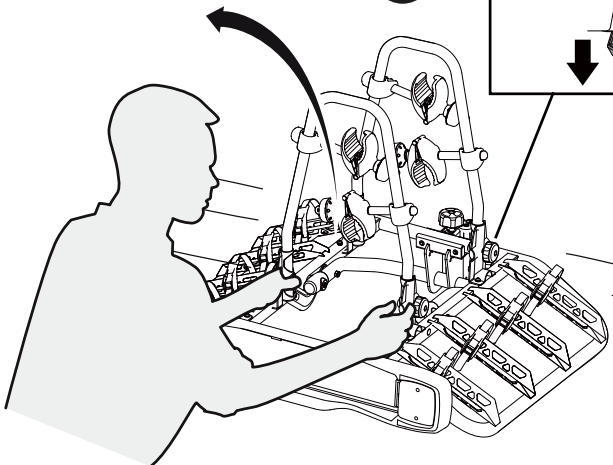
4



5



6



7

